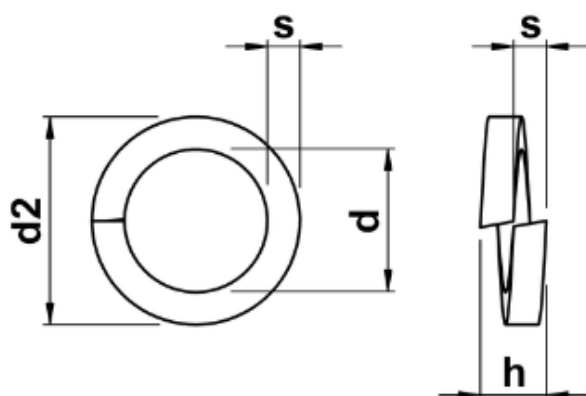


DIN 7980 Pérová podložka pod valcovú hlavu / Spring lock washers for screws with cylindrical heads



d	for	d2 max.	h min.	s
3.0	M3	5.6	2.0	1.0
3.5	M3.5	6.1	2.0	1.0
4.0	M4	7.0	2.4	1.2
5.0	M5	8.8	3.2	1.6
6.0	M6	9.9	3.2	1.6
8.0	M8	12.7	4.0	2.0
10.0	M10	16.0	5.0	2.5
12.0	M12	18.0	5.0	2.5
14.0	M14	21.1	6.0	3.0
16.0	M16	24.4	7.0	3.5
18.0	M18	26.4	7.0	3.5
20.0	M20	30.6	9.0	4.5
22.0	M22	32.9	9.0	4.5
24.0	M24	35.9	10.0	5.0
27.0	M27	38.9	10.0	5.0
30.0	M30	44.1	12.0	6.0