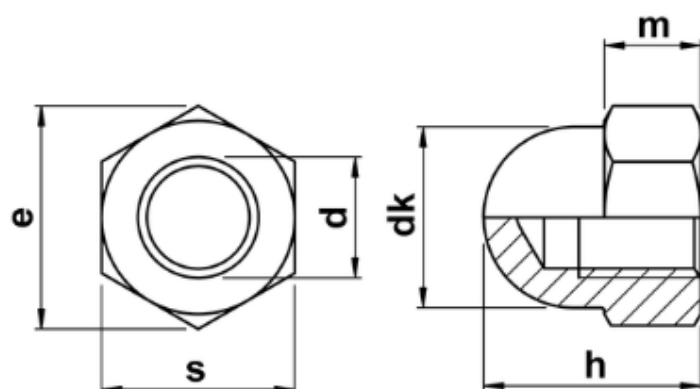


DIN 1587 Klobúčková matica / Hexagon domed cap nuts



d	thread pitch	m	h	s	e	dk
M3	0.50	2.4	7	5.5	6.01	5.5
M4	0.70	3.2	8	7.0	7.66	6.5
M5	0.80	4.0	10	8.0	8.79	7.5
M6	1.00	5.0	12	10.0	11.05	9.5
M8	1.25	6.5	15	13.0	14.38	12.5
M10	1.50	8.0	18	17.0	18.90	16.0
M12	1.75	10.0	22	19.0	21.10	18.0
M14	2.00	11.0	25	22.0	24.49	21.0
M16	2.00	13.0	28	24.0	26.75	23.0
M18	2.50	15.0	32	27.0	30.14	26.0
M20	2.50	16.0	34	30.0	33.53	28.0
M22	2.50	18.0	39	34.0	37.72	33.0
M24	3.00	19.0	42	36.0	39.98	34.0
M27	3.00	20.0	47	41.0	47.30	40.0
M30	3.50	24.0	52	46.0	52.00	42.0